

Angle Valves

Type 01352 - Globe Valve Angle Type



Cryogenic-Globe Valves Angle Type, PN50

- Stainless steel body and topwork,
- "live loaded" gland packing
- "cleaned and degreased for oxygen service"

Part No. 01352.X.000*

* Butt weld connection for stainless steel pipes acc. to ISO 1127 or ASTM A312

Part No. 01352.X.0004

Socket weld connection for stainless steel pipes acc. to ISO 1127 or ASTM A312

Available options - on request only:

- Valve with control disc (tapered design)
- Valve with check disc
- Further pipe wall thicknesses



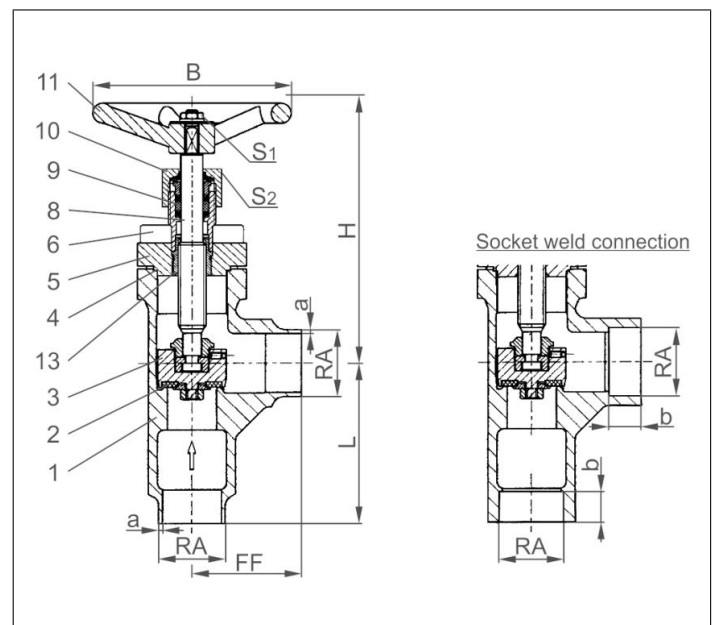
Applications:

Approved for air gases, vapours and cryogenic liquefied gases incl. LNG.

Working temperature: -196°C / -321°F (77K) up to +120°C / +248°F (393K)

Recommended working temperature: -60°C / -76°F (213K) up to +120°C / +248°F (393K)

| Materials | DIN EN | ASTM |
|-----------------|----------------------------|--------------------------------|
| 1 Body | 1.4308 | A 351 CF8 |
| 2 Valve seal | PTFE / Carbon filled (25%) | |
| 3 Disc | 1.4301 | A 276 Grade 304 |
| 4 Bonnet gasket | PTFE | |
| 5 Headpiece | 1.4301 / 1.4308 | A 276 Grade 304 / A 351 CF8 |
| 6 Bolts | 1.4301/A2 | A 194 B8 |
| 8 Stem | 1.4301 | A 276 Grade 304 |
| 9 Gland packing | Graphite / PTFE / MICA | |
| 10 Gland nut | 1.4305 | A 276 Grade 303 |
| 11 Handwheel | Aluminium alloy | |
| 13 Bush | CW452K | B 159 UNS C51900 |



| Type 01352 - Standard design | Technical data | | | | | | |
|-------------------------------|-------------------|-------------------------------|-------|------|------|-------|-------|
| Nominal size | DN | 15 | 20 | 25 | 32 | 40 | 50 |
| Dimension code | .X. | 1521 | 2026 | 2533 | 3242 | 4048 | 5060 |
| Face-to-face dimension | FF | 40 | 50 | 55 | 60 | 58 | 85 |
| Height | H | 140 | 140 | 140 | 170 | 175 | 200 |
| Outside pipe-Ø ISO 1127 | RA | 21.3 | 26.9 | 33.7 | 42.0 | 48.3 | 60.3 |
| Wall thickness pipe ISO 1127 | a | 2.0 | 2.0 | 2.0 | 2.0 | 2.0 | 2.0 |
| Outside pipe-Ø ASTM A312 | RA | 21.34 | 26.67 | 33.4 | - | 48.26 | 60.33 |
| Wall thickness pipe ASTM A312 | a | dimensions acc. to S10 or S40 | | | | | |
| Socket depth | b | 10 | 13 | 13 | 13 | 13 | 16 |
| Handwheel-Ø | B | 100 | 100 | 100 | 125 | 125 | 125 |
| Length | L | 50 | 65 | 80 | 80 | 90 | 90 |
| Wrench size across flats | S ₁ | 7 | 7 | 7 | 10 | 10 | 10 |
| Wrench size across flats | S ₂ | 30 | 30 | 30 | 36 | 36 | 36 |
| Weight | ca. kg | 1.0 | 1.3 | 1.7 | 3.1 | 3.3 | 6.0 |
| Kvs-Value | m ³ /h | 6.0 | 10.5 | 17.2 | 32.0 | 35.0 | 57.0 |
| Cv-Value | gal/min | 7.0 | 12.2 | 20.0 | 37.2 | 40.7 | 66.3 |

Dimensions in mm.