

Needle Valves

Type 04010



Needle Valves, PN100

Brass body and topwork
with needle cone

Part No. 04010.X.0000

Female thread connection (G) acc. to ISO 228/1



Applications:

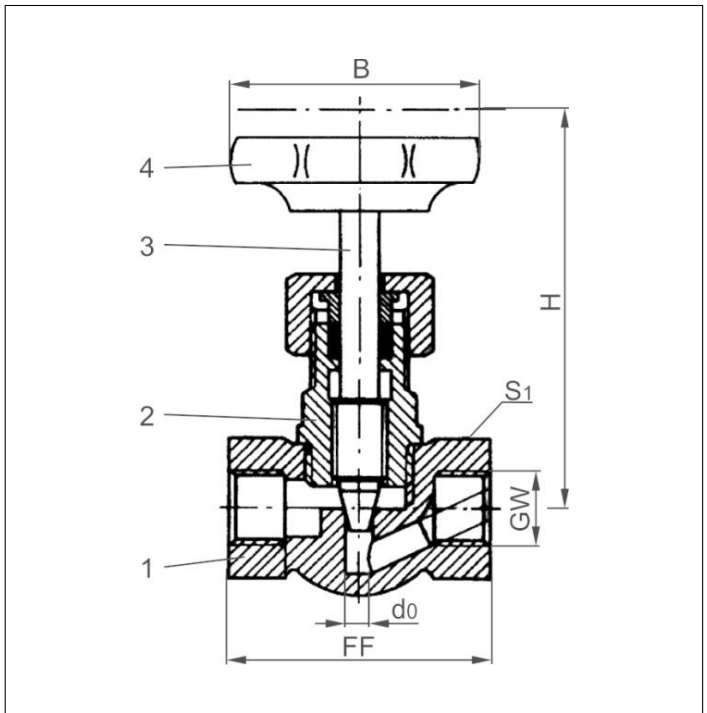
Suitable for non-toxic, non-inflammable fluids, gases and vapours.

The laws, regulations and standards are to observe for the range of application.

Working temperatures: -10°C / +14°F (263K) up to +100°C / +212°F (373K)

Materials	DIN EN	ASTM
1 Body	CW614N	B 249 UNS C38500
2 Headpiece	CW612N	B 283 UNS C37700
3 Stem	CW612N	B 283 UNS C37700
4 Handwheel	Plastic	

Essential: When ordering or requesting an offer please indicate flow medium, working pressure and working temperature.



Type 04010	Technical data						
Nominal size	GW	1/4	3/8	1/2	3/4	1	1-1/4
Dimension code	.X.	0200	0300	0400	0600	1000	1200
Face-to-face dimension	FF	50	50	50	67	75	110
Height	H	80	80	80	90	95	105
Orifice	d ₀	5.0	6.0	6.5	9.0	11.0	13.0
Handwheel-Ø	B	50	50	65	65	65	90
Wrench size across flats	S ₁	22	22	25	32	40	54
Weight	ca. kg	0.30	0.30	0.35	0.55	0.75	1.80
Kvs-Value	m ³ /h	0.4	0.6	0.6	1.0	1.6	3.0
Cv-Value	gal/min	0.5	0.7	0.7	1.1	1.8	3.5

Dimensions in mm.