

# Safety Valves

## Type 06217

Safety Valves, brass,  
type tested ASME Code Section VIII

Standard safety valve  
with FPM valve seal, open bonnet, with discharge holes  
Inlet: male thread NPT acc. to ANSI B 1.20.1

**Part No. 06217.X.5010**  
with Pull-Ring

Available options - on request only:

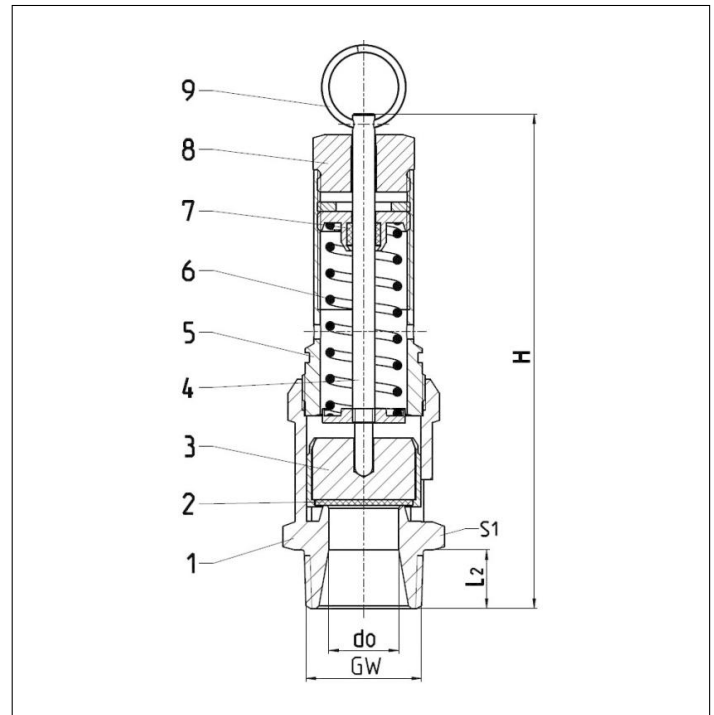
- discharge holes with protection cap
- stainless steel spring - material 1.4571
- external parts nickel plated

### Applications:

Provided as safety device for protection against excessive pressure in stationary and moveable gas cylinders and pressure vessels. Approved for air and similar gases.  
Working temperature: -40°C / -40°F (233K) up to +200°C / +392°F (473K), suitable for horizontal installation



Materials	DIN EN	ASME/ASTM
1 Body	CW617N	B 283 UNS C37700
2 Valve seal	FPM (Viton-GLT)	
3 Disc	CW614N	B 455 UNS C38500
4 Stem	CW614N	B 455 UNS C38500
5 Bonnet	CW614N	B 455 UNS C38500
6 Spring	1.1200	A 227
7 Stem guide	PTFE	
8 Cap	CW614N	B 455 UNS C38500
9 Pull-Ring	Steel	



Type 06217	Technical data						
Nominal size	GW	1/2	3/4	1	1-1/4	1-1/2	2
Orifice d <sub>0</sub>	inch	0.472	0.591	0.787	0.984	1.260	1.575
Dimension code	.X.	0400	0600	1000	1200	1400	2000
Set pressure range	psi	15-362	15-435	15-279	15-179	15-111	15-71
Height H	inch	4.291	5.118	6.260	6.930	8.110	9.114
Length L <sub>2</sub>	inch	0.551	0.630	0.709	0.787	0.866	0.984
Wrench size across flats S <sub>1</sub>	inch	1.063	1.260	1.614	1.969	2.165	2.756
Weight	lb	0.551	0.904	1.587	2.712	3.814	6.812
Coeff. of discharge from 44 psi	rated slope	2.59	4.10	6.79	10.15	16.50	24.80

# Safety Valves

## Type 06217



### Discharge capacities

Medium:

Air in SCFM at 60°F (15.6°C) and 14.7 psia (1013.25 mbar)

The capacity indicated below is for a fully opened valve.

$d_0$  - orifice

$A_0$  - flow area

### Calculation of discharge capacity acc. to ASME Code Sec. VIII.

Set pressure in psig	GW	1/2	3/4	1	1-1/4	1-1/2	2
	$d_0$ (inch)	0.472	0.591	0.787	0.984	1.260	1.575
	$A_0$ (in <sup>2</sup> )	0.175	0.274	0.487	0.761	1.247	1.948
Medium	Air in SCFM						
15		85	134	222	332	540	811
20		98	155	256	383	622	935
30		124	196	324	484	787	1183
40		152	241	399	596	969	1456
50		181	286	473	707	1150	1729
60		209	331	548	819	1332	2001
70		238	376	623	931	1513	2274
80		266	421	697	1042	1695	-
90		294	466	772	1154	1876	-
100		323	511	847	1266	2058	-
110		351	556	921	1377	2239	-
120		380	601	996	1489	-	-
130		408	647	1071	1601	-	-
140		437	692	1145	1712	-	-
150		465	737	1220	1824	-	-
160		494	782	1295	1936	-	-
170		522	827	1370	2047	-	-
180		551	872	1444	-	-	-
190		579	917	1519	-	-	-
200		608	962	1594	-	-	-
210		636	1007	1668	-	-	-
220		665	1052	1743	-	-	-
230		693	1098	1818	-	-	-
240		722	1143	1892	-	-	-
250		750	1188	1967	-	-	-
260		779	1233	2042	-	-	-
270		807	1278	2116	-	-	-
280		836	1323	-	-	-	-
290		864	1368	-	-	-	-
300		893	1413	-	-	-	-
315		936	1481	-	-	-	-
330		978	1549	-	-	-	-
350		1035	1639	-	-	-	-
360		1064	1684	-	-	-	-
375		-	1752	-	-	-	-
400		-	1864	-	-	-	-
425		-	1977	-	-	-	-
435		-	2022	-	-	-	-