

Changeover Valves

Type 06401 - Bellow Sealed Changeover Valve



Cryogenic Bellow Sealed Changeover Valves, stainless steel, PN63

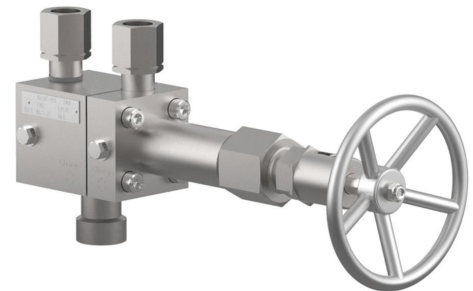
for the installation of two safety valves,
with indicator and two test connections G 1/4,
"cleaned and degreased for oxygen service"

Part No. 06401.0150.9***

*** In- and outlet connections with locking sleeve, female thread or flanges on request, working pressure up to PN100

Part No. 06401.0250.9***

*** In- and outlet connections with locking sleeve, female thread or flanges on request, working pressure up to PN63



Available options - on request only:

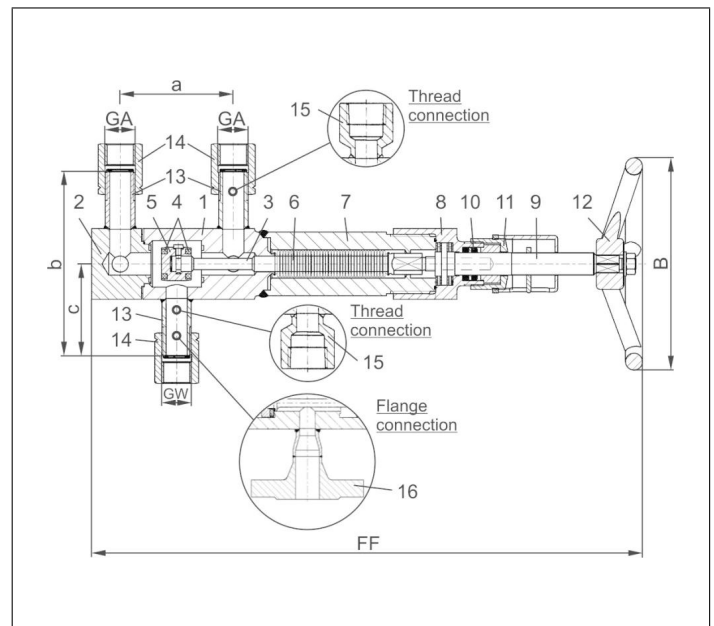
- Changeover valves with pneumatic or electric actuator

Applications:

Approved for air gases, vapours and cryogenic liquefied gases incl. LNG.

Working temperature: -196°C / -321°F (77K) up to +185°C / +365°F (458K)

| Materials | DIN EN | ASTM |
|----------------------|-----------------|-------------------|
| 1 Body I | 1.4571 | A 276 Grade 316Ti |
| 2 Body II | 1.4571 | A 276 Grade 316Ti |
| 3 Bellow stem | 1.4571 | A 276 Grade 316Ti |
| 4 Valve seal | PCTEF | |
| 5 Disc | 1.4571 | A 276 Grade 316Ti |
| 6 Bellow | 1.4571 | A 276 Grade 316Ti |
| 7 Head piece I | 1.4571 | A 276 Grade 316Ti |
| 8 Head piece II | 1.4571 | A 276 Grade 316Ti |
| 9 Stem | CW452K | B 159 UNS C51900 |
| 10 O-Rings | FPM (VITON) | |
| 11 Top ring | 1.4571 | A 276 Grade 316Ti |
| 12 Handwheel | Aluminium alloy | |
| 13 Welding piece | 1.4571 | A 276 Grade 316Ti |
| 14 Locking sleeve | 1.4571 | A 276 Grade 316Ti |
| 15 Thread connection | 1.4571 | A 276 Grade 316Ti |
| 16 Flange | 1.4571 | A 276 Grade 316Ti |



| Typ 06401 - Standard design | Technical data | | |
|-------------------------------|-------------------|-------|------|
| Nominal size | DN | 15 | 25 |
| Dimension code | .X. | 0150 | 0250 |
| Inlet | GW | G 3/4 | G 1 |
| Outlet | GA | G 3/4 | G 1 |
| Face-to-face dimension | FF | 390 | 390 |
| Handwheel-Ø | B | 150 | 150 |
| Length | a | 80 | 80 |
| Height | b | 130 | 160 |
| Length | c | 65 | 80 |
| Weight | ca. kg | 8.0 | 9.9 |
| Kvs - Value, one side open | m ³ /h | 9.5 | 13.0 |
| Cv - Value, one side open | gal /min | 11.0 | 15.0 |
| Kvs - Value, central position | m ³ /h | 13.5 | 15.5 |
| Cv - Value, central position | gal /min | 15.6 | 17.9 |

Dimensions in mm.