

Safety Valves

Type 06506



**Safety Valves, stainless steel,
type tested TÜV-SV.948. Liquid/ Granular/ Powder**

Standard safety valve
with FPM valve seal, closed bonnet,
with diaphragm for protection of the spring, with lifting device,
discharge holes with protection cap
Inlet: male thread type G (BSPP) acc. to ISO 228/1

Part No. 06506.X.1000

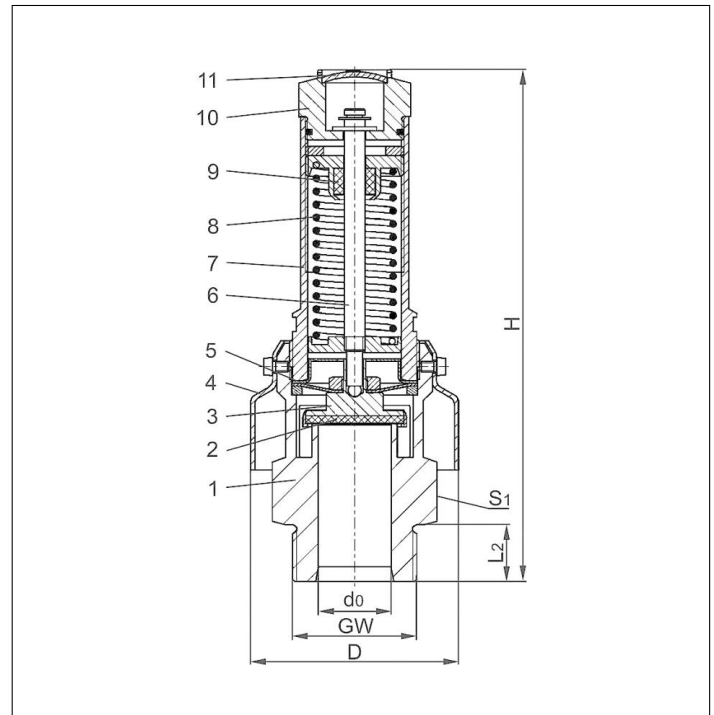


Applications:

Provided as safety device for protection against excessive pressure in vehicle containers and pressure vessels. Approved for liquid, granular and powdery goods.

Working temperature: -40°C / -40°F (233K) up to +200°C / +392°F (473K), suitable for horizontal installation (D₀ 24 up to D₀ 31)

Materials	DIN EN	ASME/ASTM
1 Body	1.4408	A 351 CF8M
2 Valve seal	FPM (Viton-GLT)	
3 Disc	1.4401	A 479 Grade 316
4 Protection cap	1.4301	A 479 Grade 304
5 Diaphragm	Silicon	
6 Stem	1.4401	A 479 Grade 316
7 Bonnet	1.4401	A 479 Grade 316
8 Spring	1.4571	A 313 Grade 316Ti
9 Stem guide	PTFE	
10 Lifting device	1.4401	A 479 Grade 316
11 Closing cap	1.4401	A 479 Grade 316



Type 06506	Technical data			
Nominal size	GW	1	1-1/4	1-1/2
Orifice	d ₀	24	31	31
Dimension code	.X.	1000	3112	3114
Set pressure range	bar	0.5-6.0	0.5-6.0	0.5-6.0
Height	H	194	191	191
Length	L ₂	18	22	22
Protection cap diameter	D	80	80	80
Wrench size across flats	S ₁	55	55	55
Weight	ca. kg	1.75	2.00	2.30
Coeff. of discharge from 3.0 bar	α _w	0.62	0.68	0.68
Coeff. of discharge from 3.5 bar	α _w	-	0.65	0.65
Coeff. of discharge from 4.5 bar	α _w	0.57	-	-

Dimensions in mm.

Safety Valves

Type 06506



Discharge capacities

Calculation of flow rate acc. to AD2000-Merkblatt A2

Medium:

Air in m³/h at 0°C and 1013.25 mbar

The capacity indicated below is for a fully opened valve.

d₀ - orifice

A₀ - flow area

Set pressure in bar (g)	GW	1	1-1/4 & 1-1/2
	d ₀ (mm)	24.0	31.0
	A ₀ (mm ²)	452.4	754.8
	Medium	Air	
0.5		237	436
0.6		268	482
0.7		299	536
0.8		330	579
0.9		354	631
1.0		373	674
1.2		414	760
1.4		456	849
1.6		504	941
1.8		553	1031
2.0		604	1124
2.2		649	1200
2.4		694	1277
2.6		740	1354
2.8		782	1431
3.0		826	1511
3.2		868	1588
3.4		910	1665
3.5		931	1629
3.6		952	1666
3.8		994	1739
4.0		1037	1813
4.2		1079	1887
4.4		1121	1960
4.5		1050	1997
4.6		1069	2034
4.8		1108	2108
5.0		1149	2186
5.2		1188	2260
5.4		1227	2334
5.6		1265	2408
5.8		1304	2481
6.0		1343	2555