

Safety Valves

Type 06C01



**Safety Valves, brass (A001),
type tested TÜV-SV.948 Liquid/ Granular/ Powder**

Standard safety valve
with FPM valve seal, closed bonnet,
with diaphragm for protection of the spring, with lifting device,
discharge holes with protection cap
Inlet: male thread type G (BSPP) acc. to ISO 228/1

Part No. 06C01.A001.X - Material brass

Part No. 06C01.A002.X - Material stainless steel

Available options:

· short version (height 160 mm) d_0 24 up to 3 bar made of stainless steel



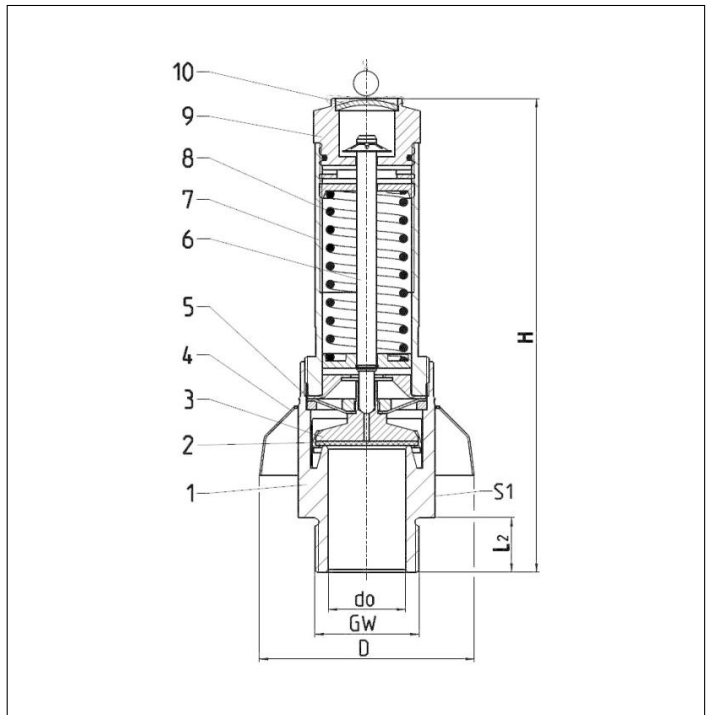
Applications:

Provided as safety device for protection against excessive pressure in vehicle containers and pressure vessels. Approved for liquid, granular and powdery goods.

Working temperature: -40°C / -40°F (233K) up to $+200^{\circ}\text{C}$ / $+392^{\circ}\text{F}$ (473K), suitable for horizontal installation (d_0 24 up to d_0 48)

Materials	DIN EN	ASME/ASTM
1 Body	CW614N	B 249 UNS C38500
2 Valve seal	FPM (Viton-GLT)	
3 Disc	CW614N	B 249 UNS C38500
4 Protection cap	1.4301	A 240 Grade 304
5 Diaphragm	Silicon	
6 Stem	1.4301	A 240 Grade 304
7 Bonnet	CW614N	B 249 UNS C38500
8 Spring	1.4571	A 313 Grade 316Ti
9 Lifting device	CW614N	B 249 UNS C38500
10 Closing cap	CW507L	B 36 UNS C26800

Materials	DIN EN	ASME/ASTM
1 Body	1.4408	A 351 CF8M
2 Valve seal	FPM (Viton-GLT)	
3 Disc	1.4401	A 479 Grade 316
4 Protection cap	1.4301	A 479 Grade 304
5 Diaphragm	Silicon	
6 Stem	1.4401	B 479 Grade 316
7 Bonnet	1.4401	B 479 Grade 316
8 Spring	1.4571	A 313 Grade 316Ti
9 Lifting device	1.4401	B 479 Grade 316
10 Closing cap	1.4401	B 479 Grade 316



Type 06C01	Technical data					
Nominal size	GW	1	1	1-1/4	1-1/2	2
Orifice	d_0	24	25	31	31	48
Set pressure range	bar	0.5-6.0	0.5-6.0	0.5-6.0	0.5-6.0	0.5-3.5
Height	H	194	186	191	191	232
Length	L_2	18	18	22	22	25
Protection cap diameter	D	80	86	86	86	114
Wrench size across flats	S_1	55	55	55	55	85
Weight	ca. kg	1.75	1.65	1.58	1.58	4.6
Coeff. of discharge from 3.0 bar	α_w	0.62	0.68	0.68	0.68	0.55
Series A001: Material brass		-	x	x	x	x
Series A002: Material stainless steel		x	-	x	x	-

Dimensions in mm.

Safety Valves

Type 06C01



Discharge capacities

Calculation of flow rate acc. to AD2000-Merkblatt A2

Medium:

Air in m³/h at 0°C and 1013.25 mbar

The capacity indicated below is for a fully opened valve.

d₀ - orifice

A₀ - flow area

Set pressure in bar (g)	max α _w (Kdr)	0.62	0.68	0.68	0.55
	GW	1	1	1-1/4 & 1-1/2	2
	d ₀ (mm)	24.0	25.0	31.0	48.0
	A ₀ (mm ²)	452.39	490.87	754.77	1809.56
0.5		237	294	436	854
0.6		268	325	482	946
0.7		299	355	536	1032
0.8		330	383	579	1116
0.9		354	411	631	1196
1.0		373	438	674	1277
1.2		414	493	760	1432
1.4		456	550	849	1593
1.6		504	605	941	1761
1.8		553	657	1031	1937
2.0		604	709	1124	2106
2.2		647	762	1200	2264
2.4		691	816	1277	2424
2.6		734	870	1354	2588
2.8		776	925	1431	2755
3.0		821	983	1511	2931
3.2		863	1033	1588	3080
3.4		906	1083	1665	3230
3.5		927	1108	1629	3304
3.6		949	1133	1666	3379
3.8		991	1183	1739	3528
4.0		1034	1234	1813	3678
4.2		1077	1284	1887	-
4.4		1120	1334	1960	-
4.5		1050	1359	1997	-
4.6		1069	1384	2034	-
4.8		1108	1434	2108	-
5.0		1149	1487	2186	-
5.2		1188	1538	2260	-
5.4		1227	1588	2334	-
5.6		1265	1638	2408	-
5.8		1304	1688	2481	-
6.0		1343	1739	2555	-