

# Pressure reducing Valves

## Type 08015



### Pressure Reducing Valves

Bronze body, with balanced seat,  
disc with NBR seal, pressure gauge connection G1/4,  
inlet pressure: up to max. 40.0 bar  
outlet pressure: 1.0 up to 10.0 bar

### Part No. 08015.X.0000

Female thread connection (R) acc. to ISO 7-1 Rp



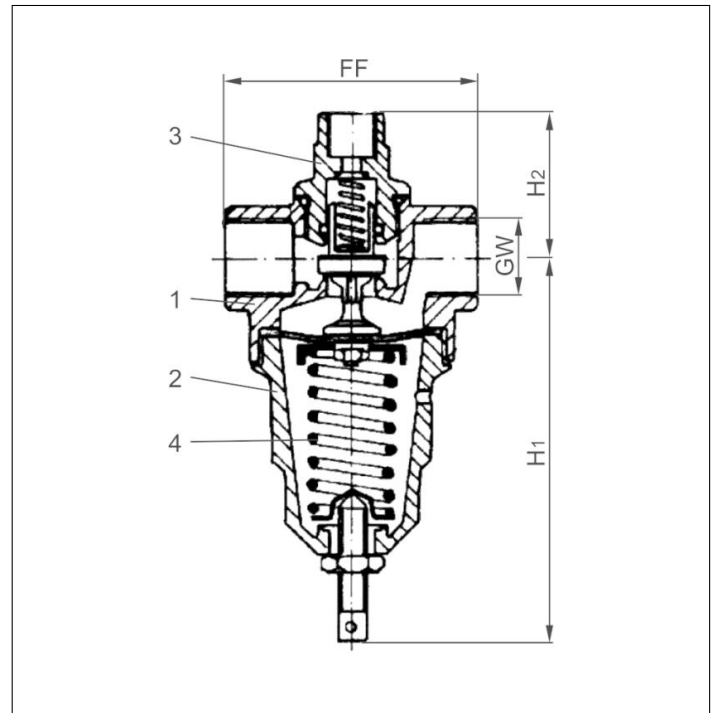
### Applications:

Suitable for compressed air, nitrogen and similar non-inflammable, non-toxic gases.

Working temperature: -10°C / +14°F (263K) up to +70°C / +158°F (343K)

| Materials   | DIN EN             | ASTM             |
|-------------|--------------------|------------------|
| 1 Body      | CW612N             | B 283 UNS C37770 |
| 2 Bonnet    | synthetic material |                  |
| 3 Headpiece | CW612N             | B 283 UNS C37770 |
| 4 Spring    | 1.1200             | A 227            |

**Essential:** When ordering or requesting an offer please indicate flow medium, working pressure and working temperature.



| Type 08015             | Technical data |      |      |      |      |      |       |       |      |  |
|------------------------|----------------|------|------|------|------|------|-------|-------|------|--|
| Nominal size           | GW             | 1/4  | 3/8  | 1/2  | 3/4  | 1    | 1-1/4 | 1-1/2 | 2    |  |
| Dimension code         | .X.            | 0200 | 0300 | 0400 | 0600 | 1000 | 1200  | 1400  | 2000 |  |
| Face-to-face dimension | FF             | 50   | 50   | 65   | 80   | 95   | 105   | 115   | 130  |  |
| Height                 | H <sub>1</sub> | 90   | 90   | 105  | 105  | 150  | 160   | 200   | 210  |  |
| Height                 | H <sub>2</sub> | 34   | 34   | 36   | 42   | 57   | 57    | 72    | 72   |  |
| Weight                 | ca. kg         | 0.30 | 0.30 | 0.45 | 0.60 | 1.35 | 1.80  | 2.90  | 3.80 |  |

Dimensions in mm.