

# Ball Valves and Spare Parts

## Type 15C01 - Ball Valve full bore



### Cryogenic Ball Valve

Unidirectional ball valve to be installed in flow direction with upstream pressure relief hole.  
 Socket weld connection for stainless steel pipes acc. to ISO 1127 or ASTM A312  
 Butt weld connection for stainless steel pipes acc. to ISO 1127 or ASTM A312  
 Female thread type NPT acc. to ANSI 1.20.1  
 Female thread type G (BSPP) acc. to ISO 228/1  
 Marking acc. to EN 1626  
 Top flange to EN ISO 5211  
 "cleaned and degreased for oxygen service"

### Available accessories:

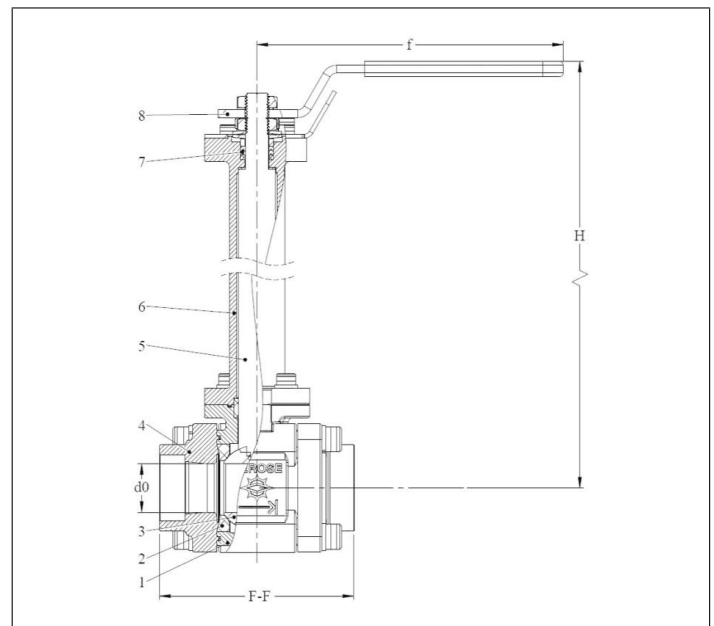
- Lock for locking device type 55394.0019.0302



### Applications:

Approved for air gases, vapours and cryogenic liquefied gases.  
 Working temperature: -196°C / -321°F (77K) up to +65°C / +149°F (338K)

Materials	DIN EN	ASTM
1 Body	1.4409	A 351 CF3M
2 Ball seal	PCTFE	
3 Ball	1.4401	A 479 Grade 316
4 Side connection	1.4409	A 351 CF3M
5 Stem	1.4404	A 479 Grade 316
6 Bonnet extension	1.4409	A 351 CF3M
7 Gland packing	PTFE / Carbon filled (25%)	
8 Lever	1.4301	A 240 Grade 304



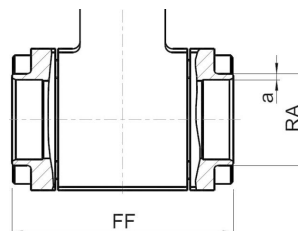
Technical data - Standard design							
Nominal size [DN]	Height (H) [mm]	Orifice (D <sub>0</sub> ) [mm]	Weight [kg]	Kvs-value [m <sup>3</sup> /h]	Cv-value [gal/min]	Length (f) [mm]	ISO 5211
10	296	8.0	2.5	5.7	6.6	127	F03
15	296	14.5	2.5	10.7	12.4	127	F03
20	305	19.5	3.1	24.7	28.6	157	F04
25	310	25.0	3.8	32.1	37.1	157	F04
32	376	32.0	6.5	77.9	90.1	240	F05
40	380	38.0	7.3	122.3	141.4	240	F05
50	427	50.0	13.6	124.1	143.7	420	F07
65	496	64.5	29.8	188.6	218.4	462.5	F10
80	592	80.0	44.7	279.8	323.7	600	F10

# Ball Valves and Spare Parts

## Type 15C01 - Ball Valve full bore



Connection types



Butt weld connection acc. to  
· ISO 1127

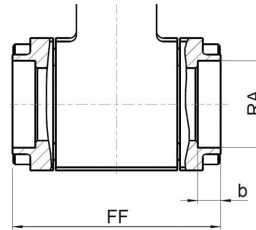
DN	Nominal Pressure [PN]	Face-to-face dim. (FF) [mm]	Outside pipe-Ø ISO (RA) [mm]	Wall thickness pipe ISO (a) [mm]	Part No.
10	100	65	13.5	2.0	15C01.A003.000002
15	100	70	21.3	2.0	15C01.A001.000207
20	100	85	26.3	2.0	15C01.A003.000014
25	70	100	33.7	2.6	15C01.A001.000219
32	70	115	42.4	2.6	15C01.A002.000008
40	70	125	48.3	3.2	15C01.A002.000014
50	70	160	60.3	3.2	15C01.A001.000237
65	30	182.5	76.1	2.9	15C01.A001.000243
80	20	218	88.9	3.2	15C01.A001.000247

Butt weld connection acc. to  
· ASTM A312

DN	Nominal Pressure [PN]	Face-to-face dim. (FF) [mm]	Outside pipe-Ø ASTM (RA) [mm]	Wall thickness pipe ASTM (a) [mm]	Part No.
10	100	65	13.72	1.65	15C01.A003.000005
10	100	65	13.72	2.24	15C01.A003.000006
15	100	70	21.35	2.11	15C01.A001.000210
15	100	70	21.35	2.78	15C01.A001.000211
20	100	85	26.70	2.10	15C01.A003.000017
20	100	85	26.70	2.85	15C01.A003.000018
25	70	100	33.40	2.77	15C01.A001.000222
25	70	100	33.40	3.38	15C01.A001.000223
32	70	115	42.20	2.77	15C01.A002.000011
32	70	115	42.20	3.56	15C01.A002.000012
40	70	125	48.30	2.77	15C01.A002.000017
40	70	125	48.30	3.70	15C01.A002.000018
50	70	160	60.33	2.77	15C01.A001.000240
50	70	160	60.33	3.91	15C01.A001.000241
65	30	182.5	73.10	3.10	15C01.A001.000244
65	30	182.5	73.10	5.20	15C01.A001.000245
80	20	218	88.90	3.10	15C01.A001.000248
80	20	218	88.90	5.45	15C01.A001.000249

# Ball Valves and Spare Parts

## Type 15C01 - Ball Valve full bore



Socket weld connection acc. to

- ISO 1127
- ASTM A312

DN	Nominal Pressure [PN]	Face-to-face dim. (FF) [mm]	Socket depth (b) [mm]	Socket diameter (RA) [mm]	Part No.
10	100	65	6.0	14.1	15C01.A003.000001
15	100	70	10.0	22.0	15C01.A001.000206
20	100	85	13.0	27.5	15C01.A003.000013
25	70	100	13.0	34.0	15C01.A001.000218
32	70	115	13.0	38.2	15C01.A002.000007
40	70	125	13.0	48.7	15C01.A002.000013
50	70	160	16.0	60.3	15C01.A001.000236
65	10	182.5	16.0	77.0	15C01.A001.000242
80	10	218	16.0	90.0	15C01.A001.000246

Female thread type

- NPT acc. to ANSI 1.20.1
- G (BSPP) acc. to ISO 228/1

DN	Nominal Pressure [PN]	Face-to-face dim. (FF) [mm]	Thread size (GW) [mm]	Part No.
10	100	65	G 3/8	15C01.A003.000003
10	100	65	NPT 3/8	15C01.A003.000004
15	100	70	G 1/2	15C01.A001.000208
15	100	70	NPT 1/2	15C01.A001.000209
20	100	85	G 3/4	15C01.A003.000015
20	100	85	NPT 3/4	15C01.A003.000016
25	70	100	G 1	15C01.A001.000220
25	70	100	NPT 1	15C01.A001.000221
32	70	115	G 1 1/4	15C01.A002.000009
32	70	115	NPT 1 1/4	15C01.A002.000010
40	70	125	G 1 1/2	15C01.A002.000015
40	70	125	NPT 1 1/2	15C01.A002.000016
50	70	160	G 2	15C01.A001.000238
50	70	160	NPT 2	15C01.A001.000239