

# Actuated Valves and Actuators

## Type 17800 - Actuated Butterfly Valve



### Cryogenic Butterfly Valves Buttweld Type, PN16

With pneumatic actuator

Also available in PN10 and PN25

Type test approval acc. to DIN 12567 for LNG use

“ Fire safe ” type test approval acc. to EN ISO 10497

Available options - on request only:

- Further connection types
- Pressure range
- Accessories

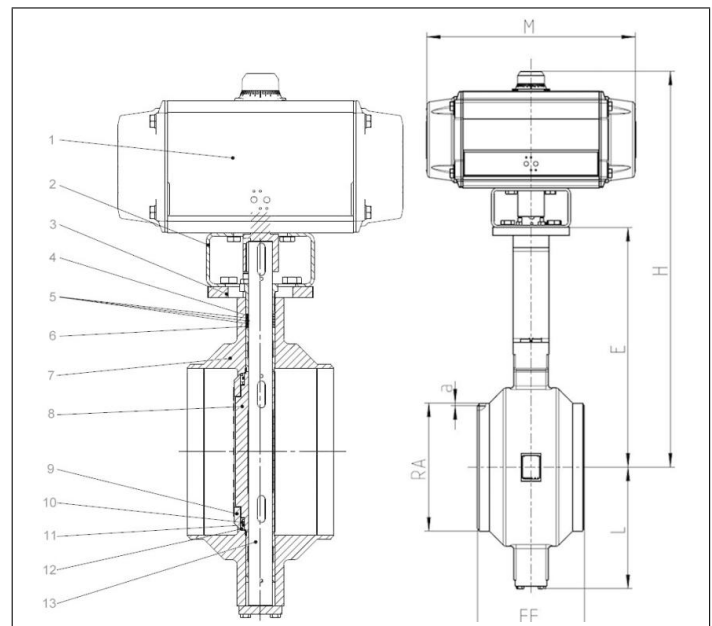


### Applications:

Approved for LNG Marine applications. Other applications on request only.

Working temperature: -196°C / -321°F (77K) up to +100°C / +212°F (373K)

Materials	DIN EN	ASTM
1 Actuator	Aluminum Aludur coated	
2 Bracket	1.4404/1.4571	316L/316Ti
3 Flange	1.4404	316L
4 Gland packing	Graphite braid	
5 Gland packing	Graphite	
6 Gland packing	Graphite braid	
7 Body	1.4408	316
8 Disc	1.4408	316
9 Clamp ring	1.4404/1.4571	316L/316Ti
10 Seal	1.4571	316Ti
11 CSI ring	Inconel	
12 CSE ring	Inconel	
13 Shaft	1.4980/1.4571	-/316Ti



Type 17800 - Standard design	Technical data								
Nominal size	DN	80	100	150	200	250	300	350	400
Face-to-face dimension	FF	180	190	210	230	250	270	290	310
Max. Height (depending on PN)	H	695	768	952	1020	1139	1165	1178	1273
Outside pipe-Ø ISO 1127	RA	88.9	114.3	168.3	219.1	273.0	323.9	355.6	406.4
Wall thickness pipe ISO 1127	a	3.2	3.6	4.5	6.3	7.1	8.0	8.0	8.8
Outside pipe-Ø ASTM A312	RA	on request							
Wall thickness pipe ASTM A312	a	on request							
Length	E	428	462	503	540	579	605	625	685
Length	L	129	158	204	241	281	307	333	383
Length (depending on PN)	M	333	423	605	710	876	876	1536	1742
Max. Weight (depending on PN)	ca. kg	31.0	47.0	124.0	170.0	325.0	355.0	613.0	838.0
*Kvs-Value	m <sup>3</sup> /h	118	258	654	1443	2431	3720	5120	7321
*Cv-Value	gal/min	137	300	760	1680	2850	4314	5953	8513

Dimensions in mm. \* These figures refer to measurements for the flow direction.